

OXFORD 1 ○ UNIT 4 TEST. Surname:

Name: Level 1st. Group: Date:/...../..... N^o:.....

Reading and Writing

1  Read and circle.

	24			
--	----	--	--	--

/8 marks

A



B



1 Where's my **puppet** / ball?

It's **on** / under the chair.

2 Where's my bike / **guitar**?

It's **behind** / in the sofa.

3 Where's my **scooter** / tablet?

It's behind / **under** the table.

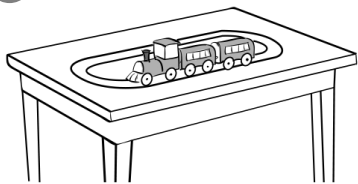
4 Where's my train set / **teddy**?

It's **in** / on the bag.

2  Look and write.

/8 marks

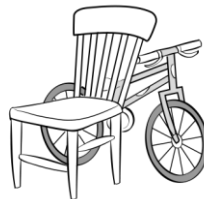
1



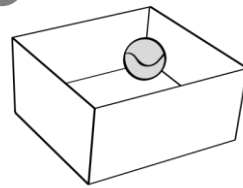
2



3



4



1 Where's my **train set** _____?

It's **on** _____ the table.

2 Where's my **tablet** _____?

It's **under** _____ the bag.

3 Where's my **bike** _____?

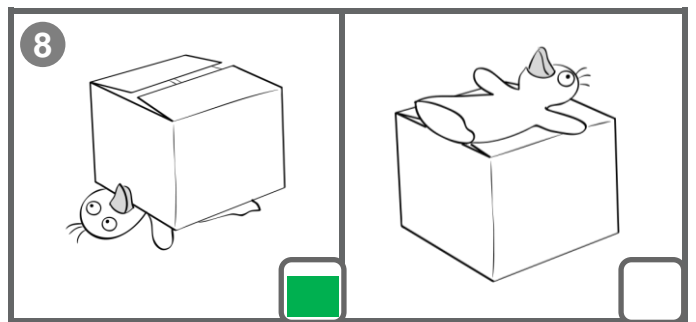
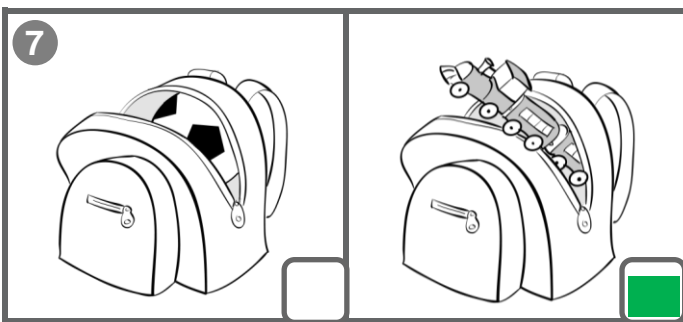
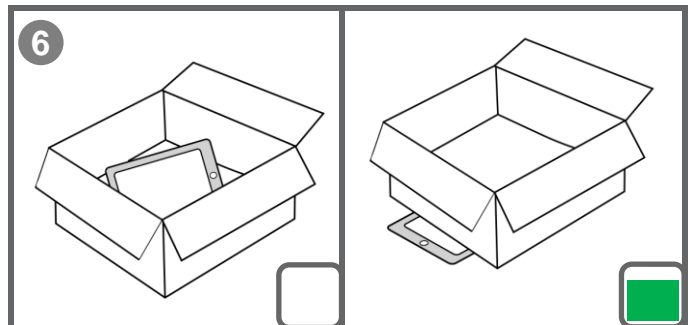
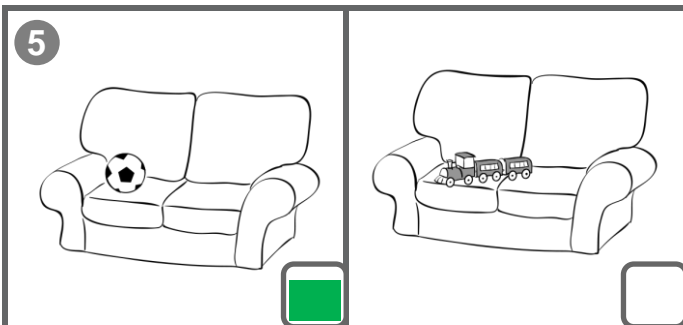
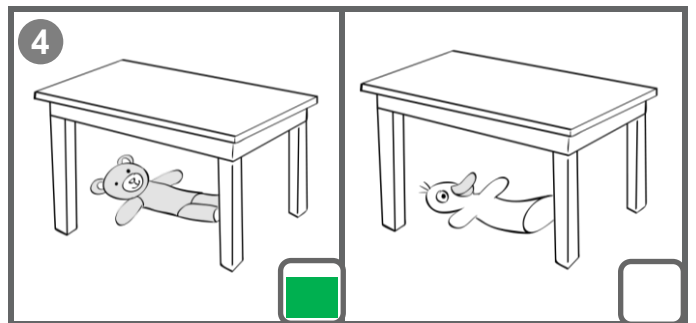
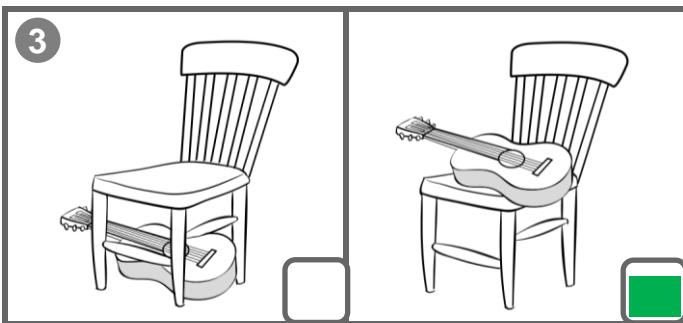
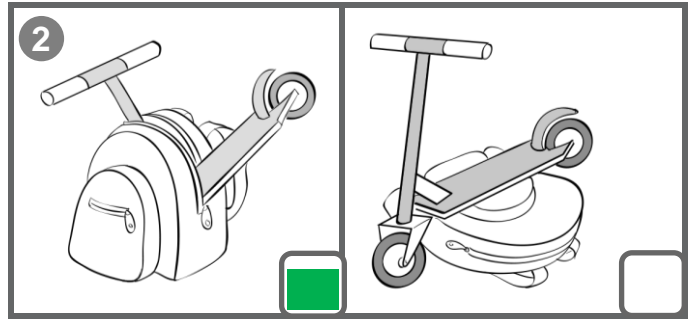
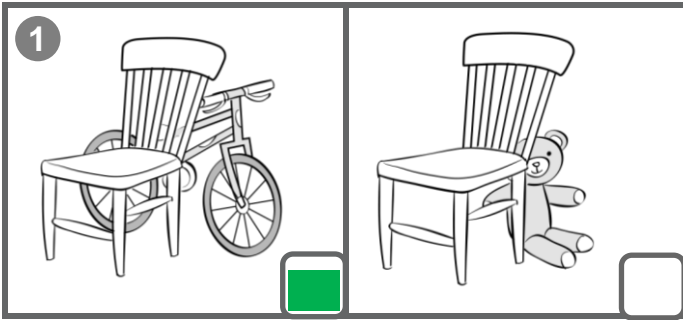
It's behaind _____ the chair.

4 Where's my **ball** _____?

It's **in** _____ the box.


3   Listen and tick ✓.

/8 marks



Total for test ___ / 24 marks

How do you feel about your test?

 Point and draw.

