

OXFORD 1 ○ UNIT 4 TEST. Surname:

Name: Level 1st. Group: Date:/...../..... N°:.....

Reading and Writing

1  Read and circle.

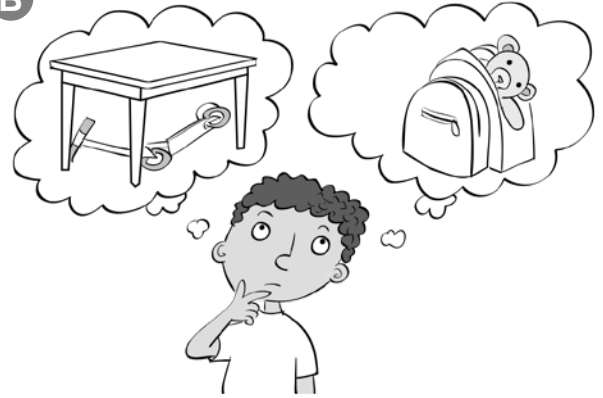
	24			
--	----	--	--	--

/8 marks

A



B



1 Where's my puppet / ball?

It's on / under the chair.

2 Where's my bike / guitar?

It's behind / in the sofa.

3 Where's my scooter / tablet?

It's behind / under the table.

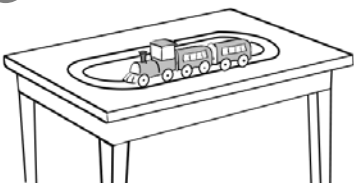
4 Where's my train set / teddy?

It's in / on the bag.

2  Look and write.

/8 marks

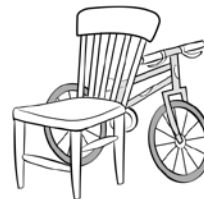
1



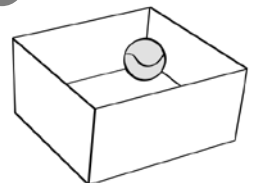
2



3



4



1

Where's my _____?

It's _____ the table.

2

Where's my _____?

It's _____ the bag.

3

Where's my _____?

It's _____ the chair.

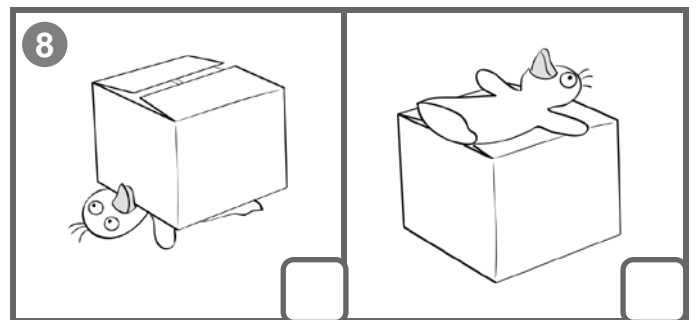
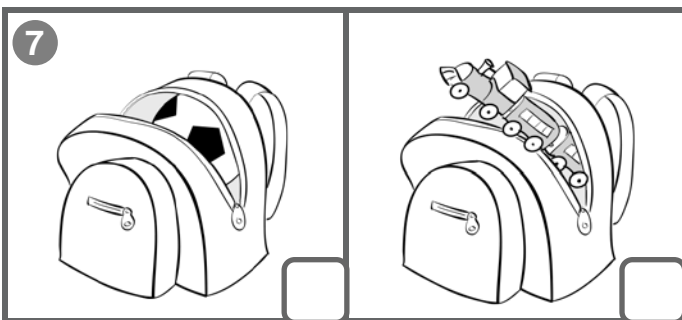
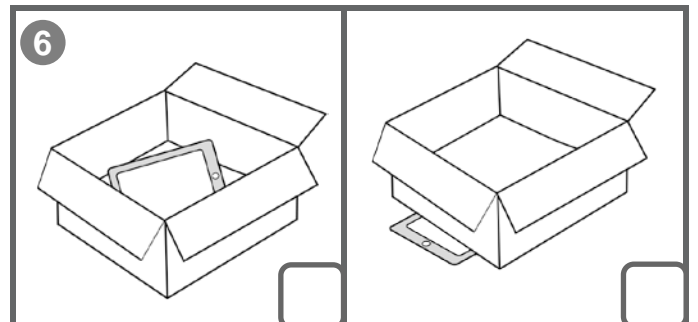
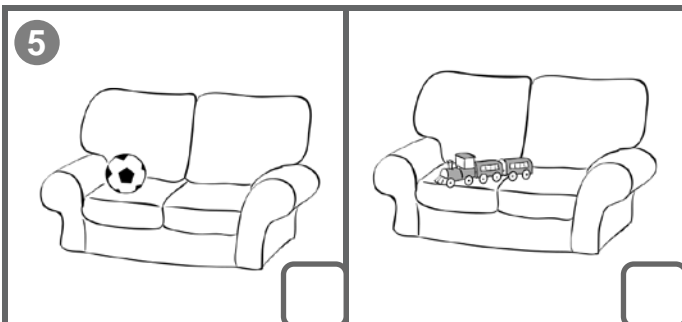
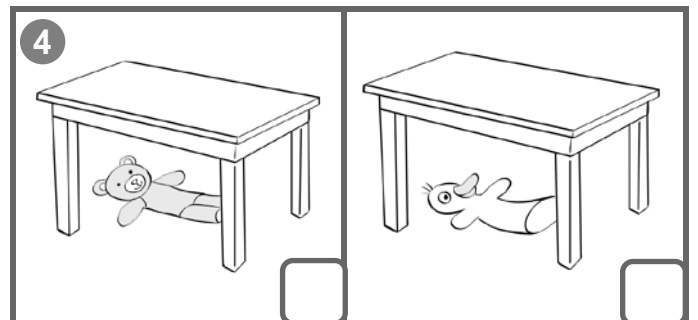
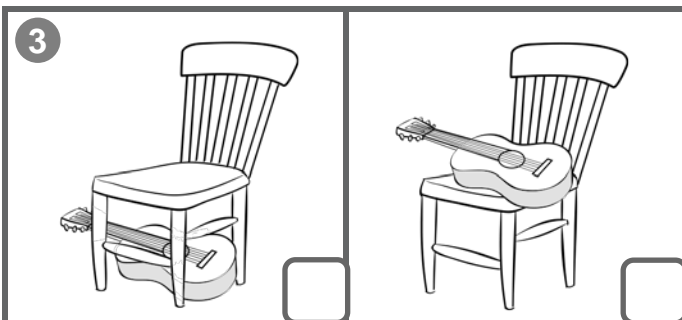
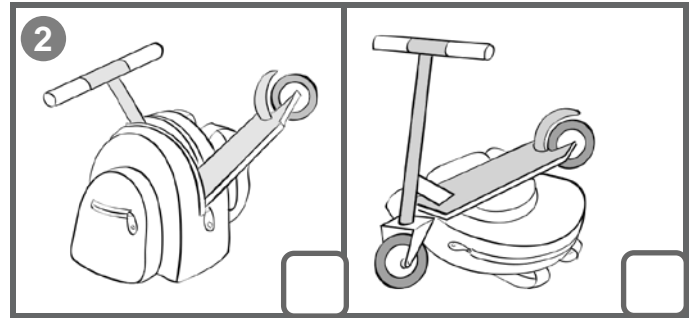
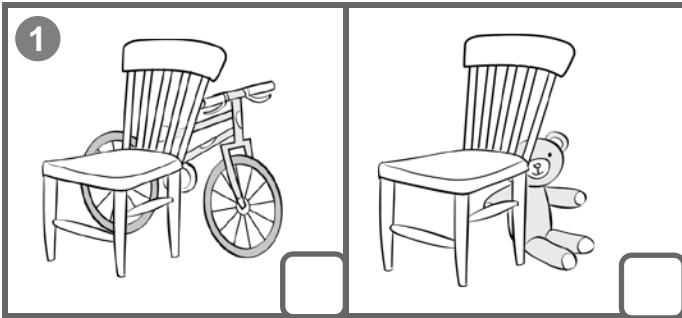
4

Where's my _____?

It's _____ the box.


3   Listen and tick ✓.

/8 marks



Total for test ___ / 24 marks

How do you feel about your test?

 Point and draw.

